

120 EC Fan Series x120x38mm

UL us CE RoHS

Optional Features



ENERGY SAVING
ECDYNAMIC™



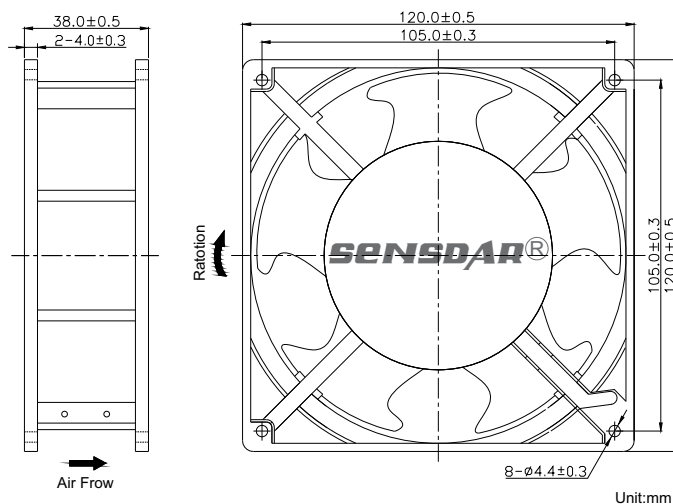
GENERAL SPECIFICATIONS

Bearing Type: Sleeve Bearing & Ball Bearing
 Material: Impeller: Plastic; Frame: Aluminum Alloy
 Lead Wire: UL Type
 Operation Temperature: -10°C~70°C, 35%~85%RH
 Storage Temperature: -40°C~80°C, 35%~85%RH

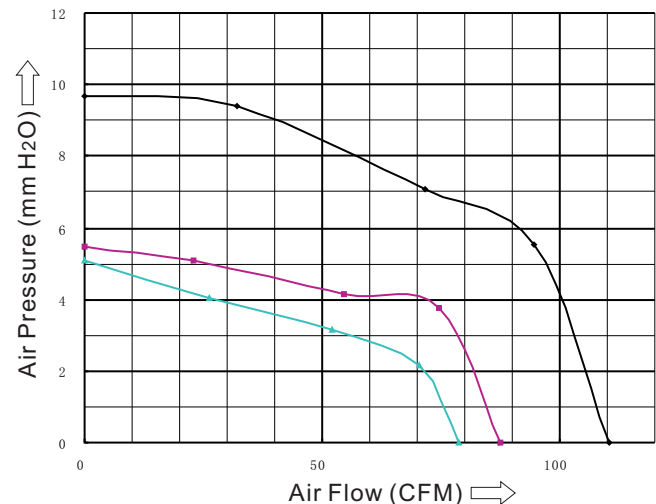
SPECIFICATIONS

Model	Bearing System		Rated Voltage	Freq.	Operation Voltage	Rated Current	Power	Rated Speed	Air Flow	Air Pressure	Noise Level	Weight
	Ball	Sleeve	VAC	Hz	VAC	A	W	RPM	CFM	mmH ₂ O	dBA	g
SE1238DB	●		115/230	50/60	98~264	0.12	18.0	4000	158.5	15.5	52	360
SE1238H2X	●	●	220~240	50/60	198-264	0.10	8.0	3000	110.5	9.7	45	350
SE1238M2X	●	●				0.08	5.0	2600	87.5	5.5	39	
SE1238L2X	●	●				0.06	3.0	2300	78.6	5.1	36	

DIMENSIONS DRAWING



P&Q CURVE (AT RATED VOLTAGE)



Note:

- *All readings are typical values at rated voltage.
- *Specifications are subject to change without prior notice.
- *"X" in model list can be B, S, and C, meaning Dual Ball Bearing, Sleeve Bearing and 1 Ball 1 Sleeve Bearing